

AC 110V -->
DC 3.3V/5A
Power Module

PCB 1

EEPROM
24C02/8

EEDAT
EECLK

Page 6
Port 25/26
IP101
or
Web management
TF320
RS232
Page 7

Extend Interface

CPU_DAT
CPU_CLK

MII 1
MII 2

Page 2
IP1718
16 SS-SMII + 2 MII 10/100M
Switch Controller
128 Pin QFP

3.3V->1.8V

25MHz
Crystal

Initial Pin setting

SS-SMII

PCB 2/3

SS-SMII

SS-SMII

Page 5
LED Module
(Series Mode)

Page 3
IP108
Octal PHY
PHY Add. 8-15

3.3V->1.8V

Quad port pulse transformers

Quad port pulse transformers

Port 1 ~ 8 RJ45

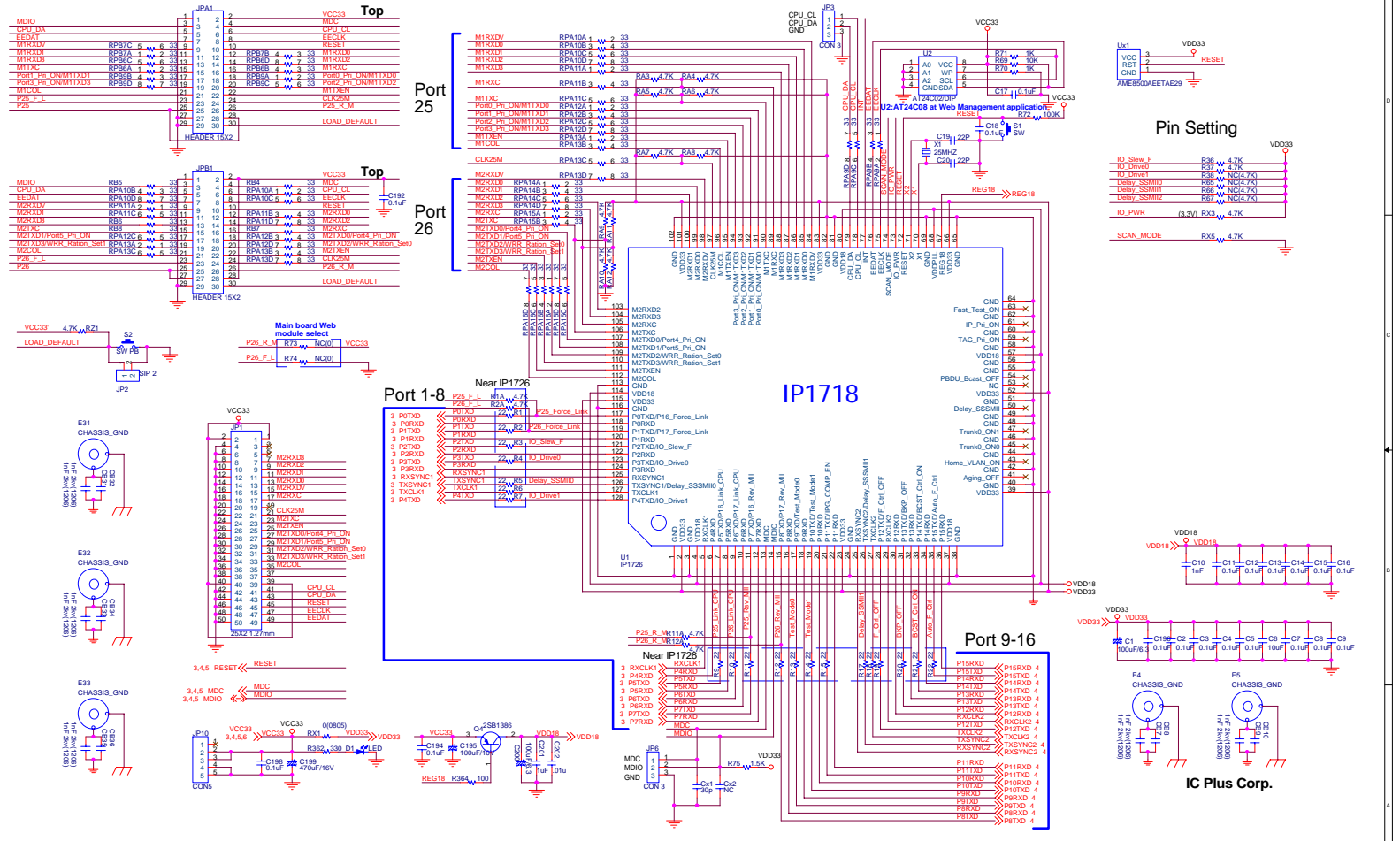
Page 4
IP108
Octal PHY
PHY Add. 15-23

3.3V->1.8V

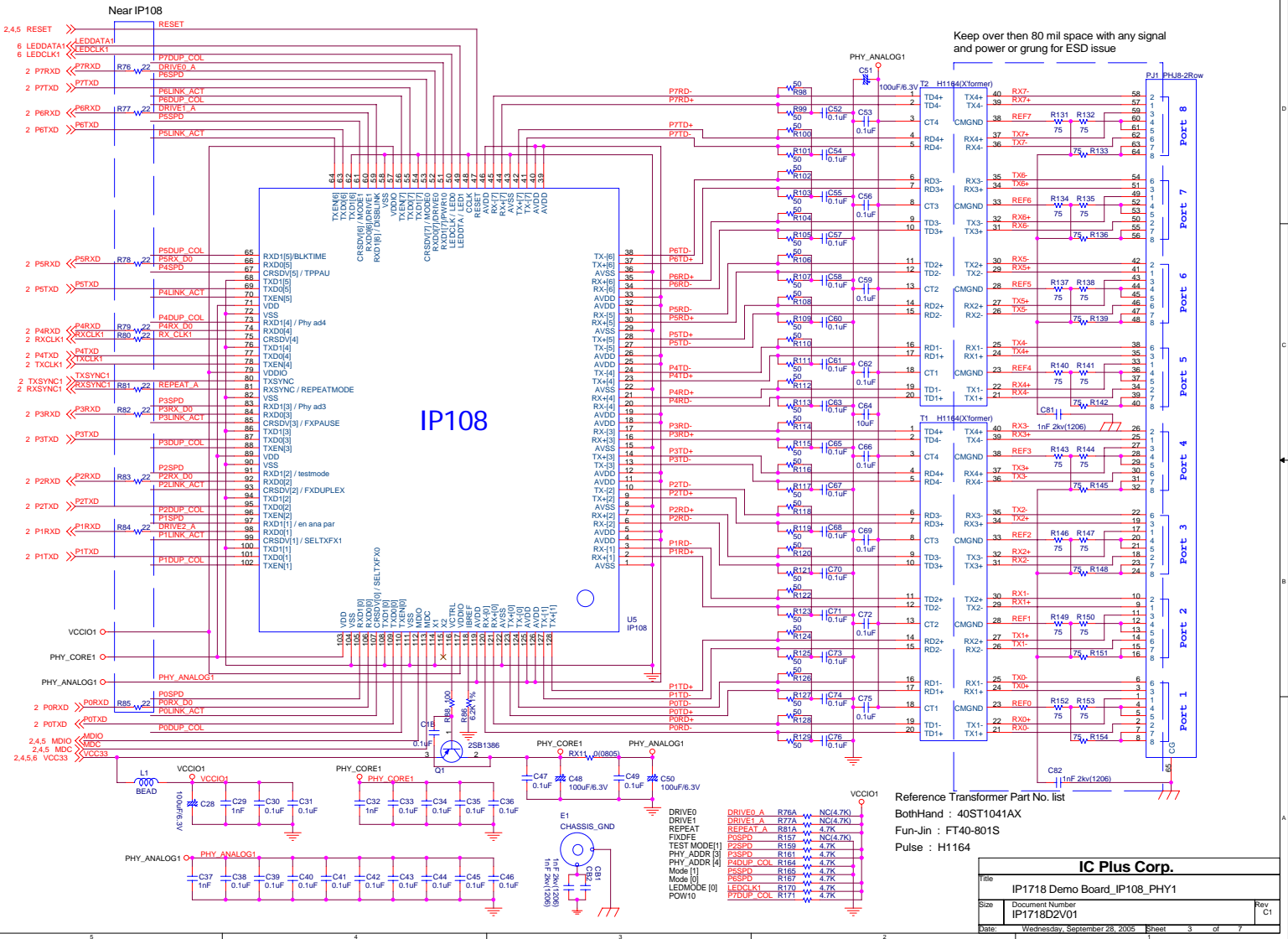
Quad port pulse transformers

Quad port pulse transformers

Port 9 ~ 16 RJ45



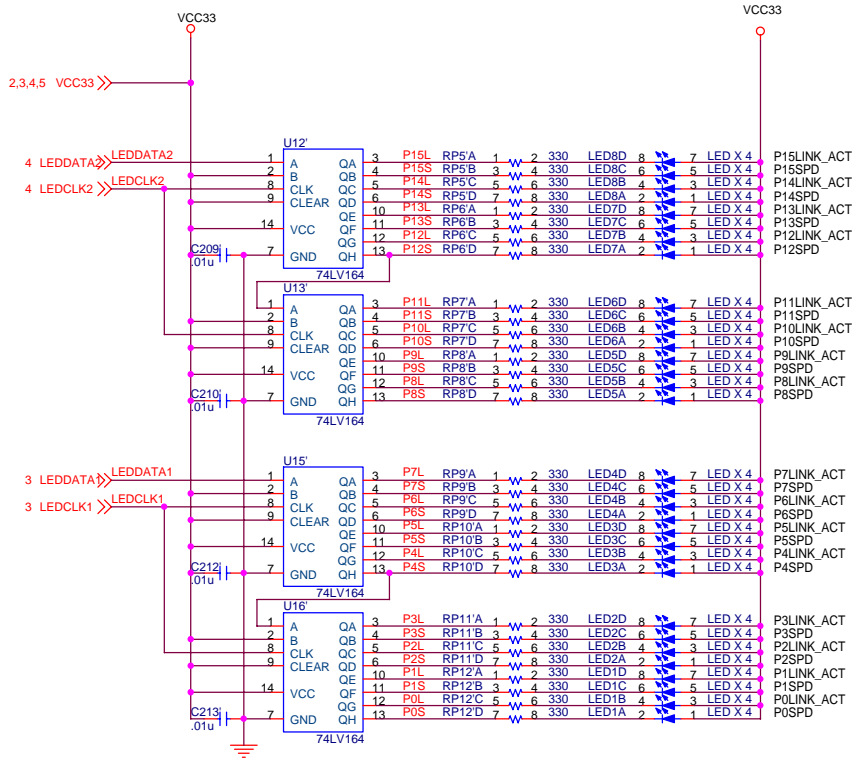
File	IP1718 Demo Board_Switch Controller	
Size	Document Name	Rev
	IP1718D2V01	C1
Date	Wednesday, September 26, 2006	Sheet 2 of 7



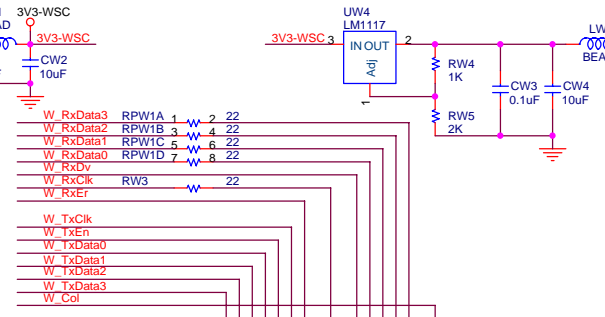
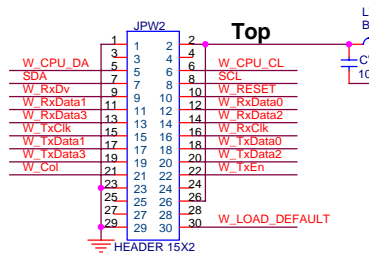
Keep over then 80 mil space with any signal and power or grung for ESD issue

Reference Transformer Part No. list
 BothHand : 40ST1041AX
 Fun-Jin : FT40-801S
 Pulse : H1164

LED mode : 2 bit serial stream

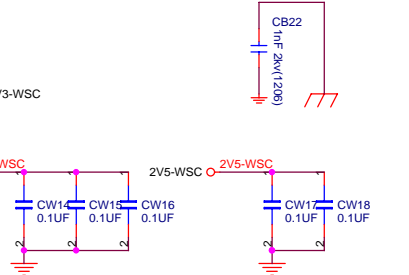
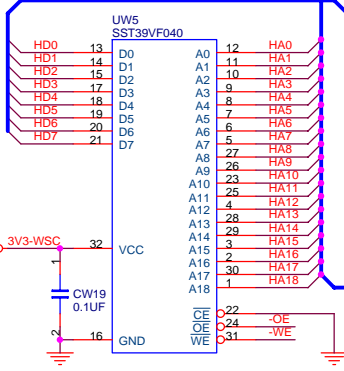
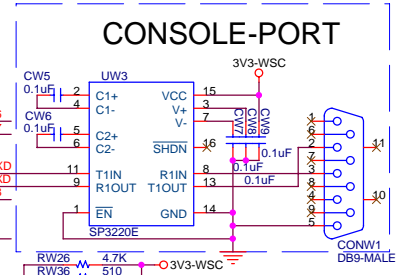
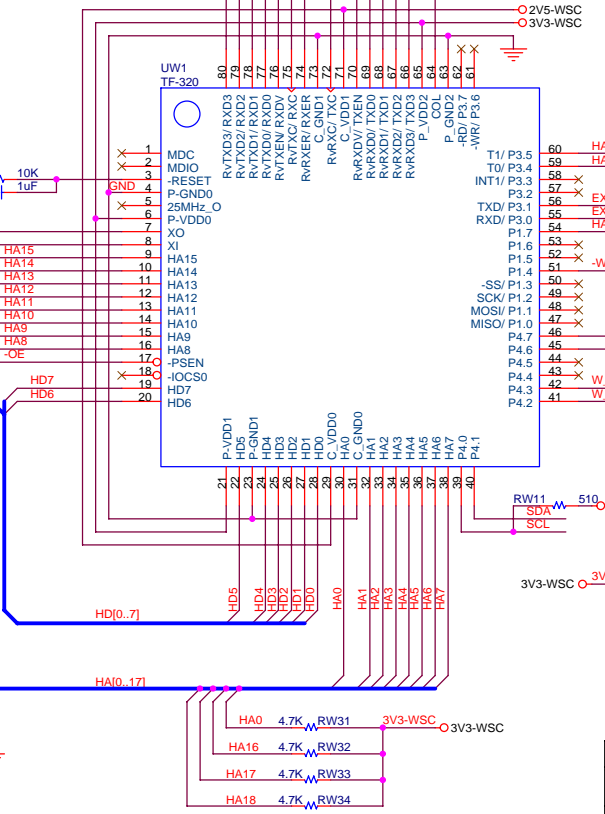
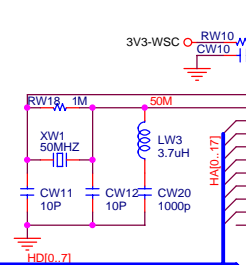
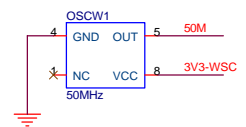


IC Plus Corp.		
Title		
IP1718 Demo Board_LED module		
Size		Rev
Document Number		C1
IP1718D2V01		
Date:	Wednesday, September 28, 2005	Sheet 6 of 9



Clock source select from IP1718 or Crystal or OSC

Parts No.	IP1718	Crystal	OSC
UW2	XC2141C22AMR	NC	NC
RW35	0	NC	NC
XW1	NC	50MHz	NC
RW16	NC	0	NC
RW18	NC	1M	NC
CW11	NC	16pF	NC
CW12	NC	16pF	NC
OSCW1	NC	NC	50MHz



IC Plus Corp.

Title: IP1718 Demo Board_Web Server

Size: Document Number IP1718D2V01

Date: Wednesday, September 28, 2005 Sheet 7 of 7

Rev C1